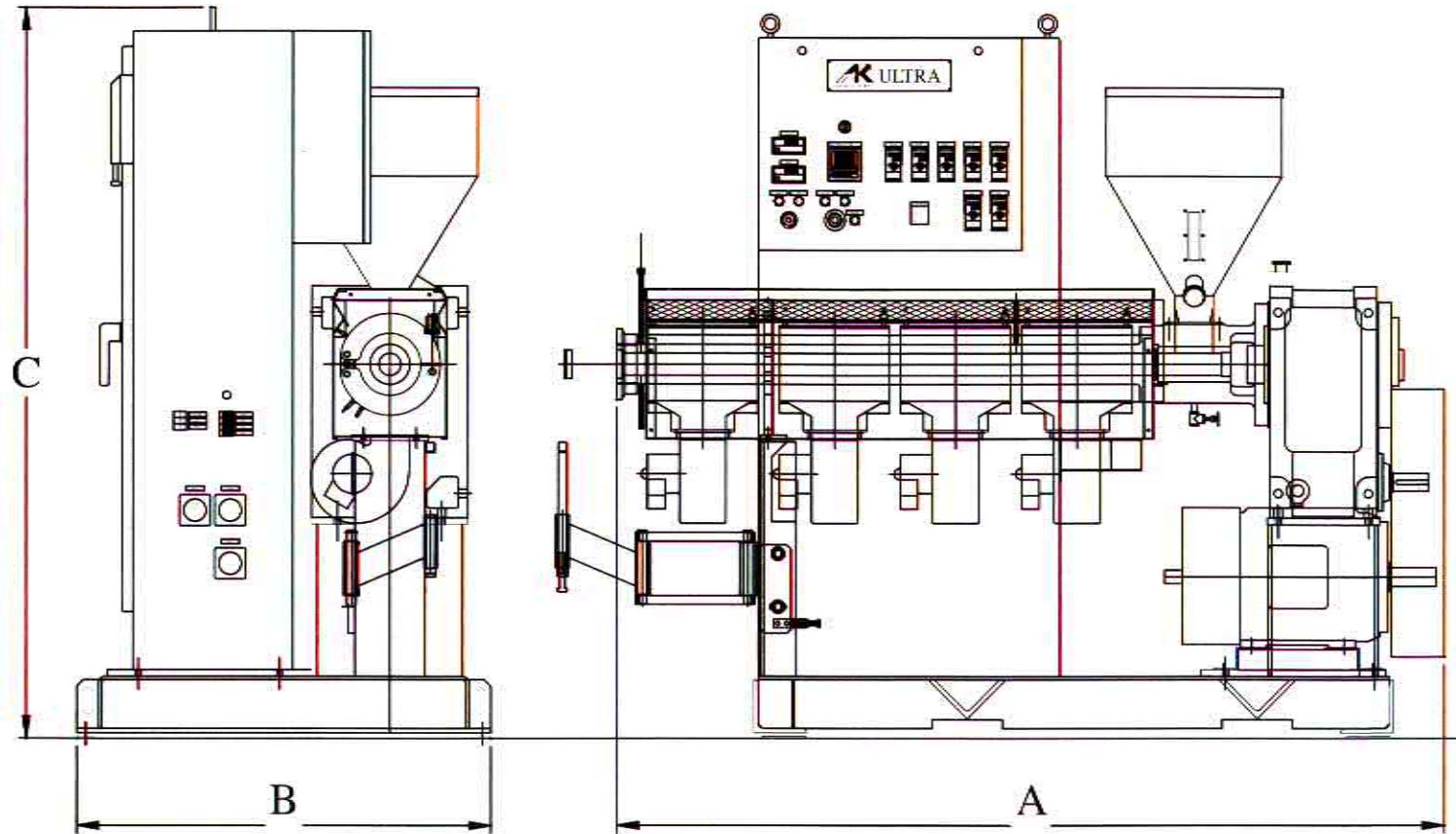


ULTRA



ULTRA



ULTRA Extruder Specifications

	GENERAL			GEARBOX		BARREL HEAT				BARREL COOLING	WEIGHTS & DIMENSIONS (24:1)				
	Model	Bore (Inches)	Nominal Standard Drive Size (HP)	Gearbox HP @ 100 RPM with a 1.50 S.F.	Thrust Bearing B10 Life @ 100 RPM and 5000 psi	Number of Barrel Heat Zones		Barrel Zone (kW)	Hi-Temp Barrel Zone (kW)	Clamp Zone (kW)	Standard Air Cooled Blowers (CFM/Zone)	Shipping Weight (Lbs.)	A	B	C
						24:1	30:1								
SMALL	075	0.75	2	11	823,500	3	4	1.3	2	2	140	2K	41	36	77
	100	1.00	3	11	260,000	3	4	1.3	2	2	140	2K	47	36	77
	125	1.25	5	16	4,900,000	3	4	2	3	2	140	2K	53	36	77
	150	1.50	10	16	933,200	4	5	2	3	2	140	3K	60	36	77
	175	1.75	15	16	216,100	4	5	2	3	2	140	3K	69	36	77
MEDIUM	200	2.00	20	38	1,626,000	3	4	5	7.5	3	500	5K	75	41	78
	250	2.50	40	85	5,300,000	4	5	5	7.5	3	500	6K	95	48	80
	300	3.00	50	85	918,000	5	6	5	7.5	3	500	8K	105	48	80
	350	3.50	75	125	447,500	4	5	10	N/A	3	800	9K	124	48	82
	100mm	3.94	100	125	122,800	5	7	10	N/A	3	800	10K	145	57	82
	350T	3.50	75	187	1,600,000	4	5	10	N/A	3	800	9K	124	48	82
LARGE	100T	3.94	100	187	495,400	5	7	10	N/A	3	800	10K	145	57	82
	450	4.50	150	320	1,849,000	5	6	12	N/A	6	1200	13K	158	64	82
	130mm	5.12	200	320	467,000	6	7	12	N/A	6	1200	14K	185	64	82
	600	6.00	300	533	351,000	5	6	20	N/A	6	2400	17K	198	64	84
	165mm	6.50	400	533	156,600	6	7	20	N/A	6	2400	18K	234	64	84
	600T	6.00	400	750	1,037,000	5	6	20	N/A	6	2400	17K	198	64	84
	165T	6.50	500	750	443,600	6	7	20	N/A	6	2400	18K	234	64	84
	800	8.00	500	750	145,300	5	6	27	N/A	N/A	N/A	25K	260	77	84
800T	8.00	600	1300	224,000	5	6	27	N/A	N/A	N/A	26K	260	77	84	
225mm	8.86	600	1300	76,800	5	6	36	N/A	N/A	N/A	28K	281	77	84	



AMERICAN KUHNE

401 Main Street • Ashaway • RI • 02804
Tel: (401) 326-6200 • Fax: (401) 326-6201

www.AmericanKuhne.com

American Kuhne, Incorporated

NO RISK GUARANTEE

We promise to work closely with you to customize specific technical and/or commercial performance specifications that will become part of our formal purchase contract. If American Kuhne fails to meet these performance specifications, you may return the machine for a 100% refund within one year of delivery.

The Fine Print: The machine must be returned to American Kuhne FOB our dock with customer paid freight. The machine must have only normal wear and tear consistent with its time in operation. The cost to repair any extraordinary wear and/or damage will be deducted from the refund price. All refunds will be paid net 45 days from receipt of machine.



ULTRA

American Kuhne's Innovative Low-Cost, High Value Extruder

ULTRA extruders are fully equipped to include all of the technical features you need plus our unique Customer Protection Plan including:

- 1. NO RISK GUARANTEE** – We promise to work closely with you to customize specific technical and/or commercial performance specifications that will become part of our formal purchase contract. If we fail to meet these performance specifications, you may return the machine for a 100% refund within one year of delivery. *Result – Peace of mind.*
- 2. Three Year Warranty** – American Kuhne provides a "bumper to bumper" warranty covering defects in material and workmanship for a full three (3) years including all electrical and mechanical components on the machine. And, for a small additional cost you can upgrade to a full five (5) year warranty. *Result – Lower operating costs during the longer warranty period.*
- 3. Comprehensive Wet Testing Prior to Shipment** – Every ULTRA extruder is run under load with your resin or similar stock resin. This process enables us to fully ferret out mechanical or electrical problems, program and test the pressure indicator, auto-tune the temperature controllers, and fully configure the drive parameters. *Result – The fastest, smoothest start-up possible.*

- 4. Complete Spare Parts Package** – To keep your ULTRA extruder running smoothly with minimal downtime, we send along a comprehensive set of mechanical and electrical spare parts worth well over \$1,000. If a part fails during the three (3) year warranty, simply pull the part from your shelf and install it on the machine. Then call us up and we'll send you a new replacement part to put back on your shelf...for the full three (3) year warranty period. *Result – Minimal down-time means higher profits.*

- 5. Fair Spare Parts Pricing** – After the three (3) year warranty (or optional 5 year warranty) has expired, we make it easy and cheap for you to buy replacement parts. For all purchased parts, we list the manufacturers name and part number right in the extruder manual's bill of material. However, you should also check with American Kuhne first as we stock all standard parts and offer the lowest spare parts mark-up in the industry...only 30% to 35% gross margin – a fraction of our competitors' mark-up. For parts made to print, we apply the same 30% to 35% gross margin, but if you think that's too high we'll e-mail you the AutoCAD™ or SolidWorks™ manufacturing drawing for free so you can get the part made at a local machine shop. *Result – Lowest long-term cost of ownership.*

American Kuhne offers the unique ability to cost effectively customize this machine well beyond our long list of over 40 options. We welcome the opportunity to discuss any special features that you may require including special screw envelope dimensions, special flanges and clamps, custom controls, etc.

Standard Digital Pressure Display and Transducer

Automatic Heater Burn-out Detection and Alarm

Diagnostic Pressure Port

Deep Fin, Bolt-on Cast Aluminum Heaters

Full Surround Water Cooled Feed Throat

Rear Mounted Taper Roller Thrust Bearing

Horizontal Adjustment Motor Base

Optional Field Replaceable Feed LIner

Heavy Wall, One Piece Gearbox Casting

Efficient Wire Management

Standard Heated Single Bolt Clamp

Optional Die Support Hinge

Cast Aluminum Cooling Shrouds

Leveling Pads

Gusseted Fork Pockets

