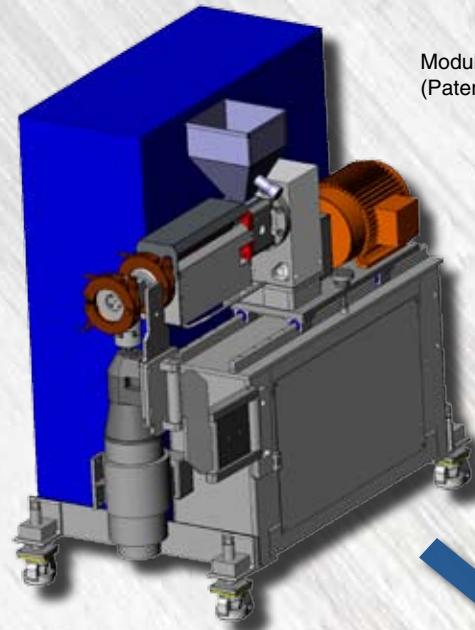


**The original
concept sketch**



Modular Extruder
(Patent Pending)

**The SolidWorks™
approval drawing**



**Final photo of
finished machine**

Concept to Reality

Since our inception, AK has fostered a culture of customization. The experience and talents of our design engineers has enabled us to continually advance our design concepts through close dialogue with our growing customer base. After 10 years and over 1,000 machines, the range of custom mechanical and electrical designs is unsurpassed in the industry. We can cost effectively create the custom machine you need to maximize your output, yield, and profitability. Contact AK and let us create the "dream machine" that will put you ahead of your competition.



AMERICAN KUHNE

31 Connecticut Avenue • Norwich • CT • 06360

Tel: (860) 886-7745 • Fax: (860) 887-7621

www.AmericanKuhne.com

AK Story

How we assembled the “Dream Team”

In January 1997, Bill Kramer and Ed Steward founded American Kuhne in partnership with Kuhne GmbH in St. Augustine, Germany. As the leading extruder and barrier screw designers at the time, Bill and Ed created a new company with a vision to raise the bar in extrusion performance in North America. Once the new company was established they set out to recruit the most experienced and motivated talent available. The result of these efforts has culminated in a “dream team” of dedicated individuals with over 500 years of combined experience



(From left to right) Ed Steward, Peter Kuhne, and Bill Kramer

Core Values

Product quality, excellent service, and on time deliveries

AK was founded on three basic core values: Supply the most advanced machinery with the best process support and outstanding customer service. All of our internal processes, procedures and training are geared towards advancing these goals.

- No Risk Guarantee
- Three Year Warranty
- Wet Testing Prior to Shipment
- Free Spare Parts
- Fair Spare Parts Pricing



Experienced Work Force



Free Wet Testing

AKcent Co-extruders

AKcent co-extruders are designed for maximum flexibility and value. Choose from dozens of options plus unlimited customization to create the ideal co-extruder for your application.



ULTRA Horizontal Extruders

Our best selling machine offers over 40 options allowing you to configure this machine for maximum value while satisfying the needs of your process engineers, operators, and maintenance personnel.



AKcel Customized Extruders

AKcel extruders are fully customized for unique applications including vertical, angled, and articulated installations to maximize floor space and/or satisfy special operational requirements.



AKcess Touch Screen Control Systems

Utilizing non-proprietary, off the shelf hardware and software, our AKcess systems offer the broadest and deepest range of capabilities in the extrusion market. Low cost basic systems ranging up to the most sophisticated capabilities (including 21 CFR part 11) are available for all extrusion processes.



Tubing, Pipe, and Profile Systems



Complete, turn-key systems are available for applications including precision medical tubing, industrial tubing, automotive tubing, specialty profiles, and HDPE and PEX pipe. All systems are set-up and run at AK prior to shipment. Complete product/process training and support is included.

A certificate with a decorative border. At the top, it says 'American Kuhne, Incorporated' with the AK logo. Below that, it says 'NO RISK GUARANTEE'. The text reads: 'We promise to work closely with you to customize specific technical and/or commercial performance specifications that will become part of our formal purchase contract. If American Kuhne fails to meet these performance specifications, you may return the machine for a 100% refund within one year of delivery. The Fine Print: The machine must be returned to American Kuhne FOB our d paid freight. The machine must have only normal wear and tear consistent with The cost to repair any extraordinary wear and/or damage will be deducted fr All refunds will be paid net 45 days from receipt of machi'. At the bottom right, there is a circular logo with 'AMERICAN KUHNE' around the top, 'RISK' in the center with a red slash through it, and 'GUARANTEE' at the bottom.